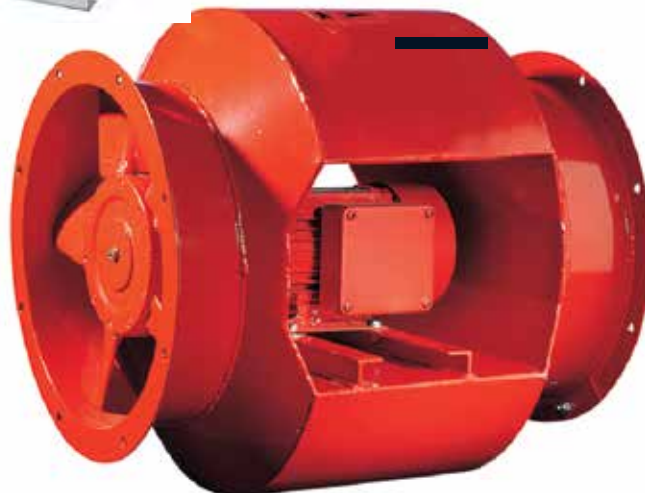


DAX DUCT TYPE AXIAL FANS

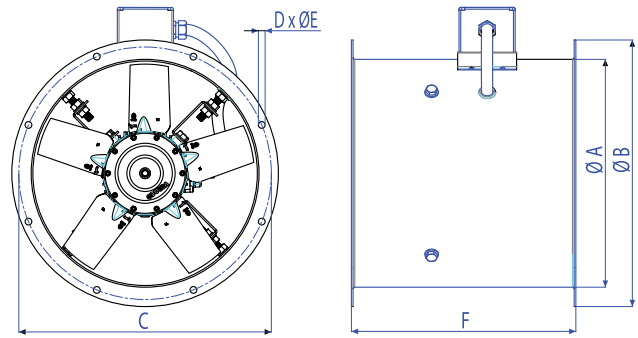
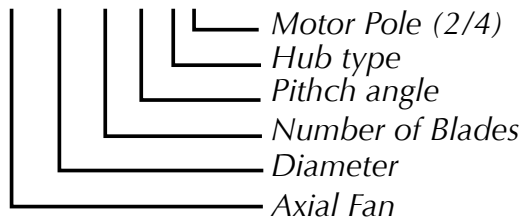
DYNFLOW DAX Duct Axial fans are used in different applications like car parks, subways, refrigeration and mining ventilation projects besides general ventilation. They are suitable for industrial and commercial applications. The best matching fans are supplied in wide range of options by selecting several hubs and adjustable blades combinations.

Features and Benefits:

- Full range from 400mm up to 1600mm diameters.
- Hot dip galvanized sheet metal casing.
- Cast aluminum adjustable blade angle impellers.
- Aerodynamic aluminum profile impellers allow high efficiency and low noise.
- Die cast aluminum alloy fan hubs.
- Optimum capacity obtained by best match of hub and adjustable blade combinations.
- IP 67 external terminal box.
- IP 55 Electrical motors with F-class insulation.
- 230 Volt-1 phase-50Hz and 400 Volt-3 phase-50 Hz motor types.
- Operating temperature between -15°C and 45°C.



DAX - 560-5/20-V2



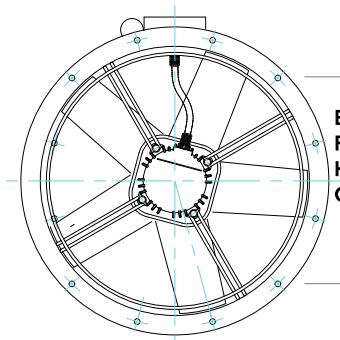
FAN	Motor frame	Ø A ^(mm)	Ø B ^(mm)	Ø C ^(mm)	D x ØE ^(mm)	F ^(mm)
400	80-90	400	475	450	8xØ12	400
450	80-90	450	475	500	8xØ12	400
	100					450
500	80-90	500	585	560	12xØ12	400
	100					450
560	80-90	560	645	620	12xØ12	400
	100-112					450
	132					570
630	80-90	630	715	690	12xØ12	400
	100-112					450
	132					570
	160					710
710	80-112	710	795	770	16xØ12	450
	132					570
	160					710
	180					790
800	200	800	885	860	16xØ12	840
	80-112					450
	132					570
	160					710
900	180	900	1000	970	16xØ12	790
	200					840
	80-112					450
	132					570
1000	160	1000	1110	1070	16xØ15	710
	180					790
	200					840
	80-112					450
1120	132	1120	1240	1190	20xØ15	590
	160-180					790
	200					840
	225					1000
1250	100-132	1250	1380	1320	20xØ15	590
	160-180					790
	200					840
	225					1000
1400	250	1400	1540	1470	20xØ15	1100
	132					590
	160-180					790
	200					840
1600	225	1600	1750	1680	24xØ19	1000
	250					1100
	132					590
	160-180					790
1600	200	1600	1750	1680	24xØ19	840
	225					1000
	250					1100
	132					590

CD DUCT TYPE AXIAL FANS

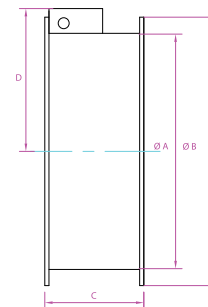
- Standard range from \varnothing 315 mm up to \varnothing 630 mm.
- Corrosion resistant, powder coated with polyester epoxy RAL 7032 painted.
- Aluminum hub, glass fiber reinforced polypropylene (GRP) impeller.
- IP55 aluminum motor with F-class insulation and maintenance free bearing.
- Suitable for speed control in the range of 0% to 100%.
- Operating temperature between -20°C and 70°C with fixed speed set-up.
- Operating temperature between 20°C and 50°C with variable speed set-up.

Static Pressure (Pa)	AirFlow (m ³ /h)						
	315/4-1	350/4-1	400/4-1	450/4 1	500/4 1	560/4 3	630/4-3
0	2340	3168	4860	5940	8928	12420	17100
25	2088	2772	4500	5580	8424	11700	16740
50	1800	2376	4068	5148	7920	11160	16344
75		1944	3492	4500	7380	10440	15840
100				3960	6840	9360	15300
125					6336	8460	14580
150							13680
175							12620
200							11880

MODEL	315	350	400	450	500	560	630
A [mm]	315	350	400	450	500	560	630
B [mm]	382	421	466	515	567	636	709
C [mm]	180	180	190	190	250	250	250
D [mm]	207	224	249	274	300	330	365
E [mm]	8	8	12	12	12	16	16
F [mm]	9.5	9.5	9.5	9.5	9.5	11.5	11.5
G [mm]	356	395	438	487	541	605	674
Weight (kg)	9	10	12	14	21	23	30
Voltage (V)	220	220	220	220	220	380	380
Current (A)	0.9	0.9	1.8	1.8	3.6	2	4.3
Power (kW)	90	90	250	250	550	750	1500
Sound Level [dB(A)@3m]	48	53	56	59	62	65	68
Speed Conf.	VRS 1	VRS 1	VRTE 3	VRTE 3	VRTE 5	RTR 2	RTR 7

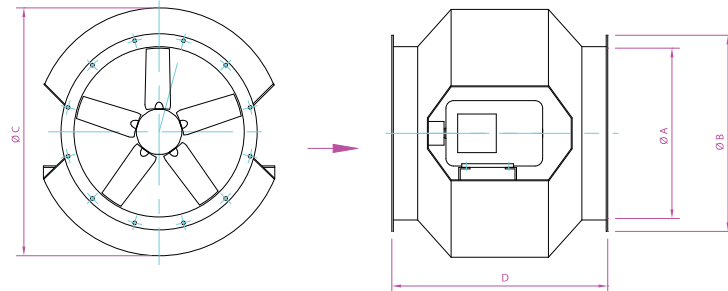
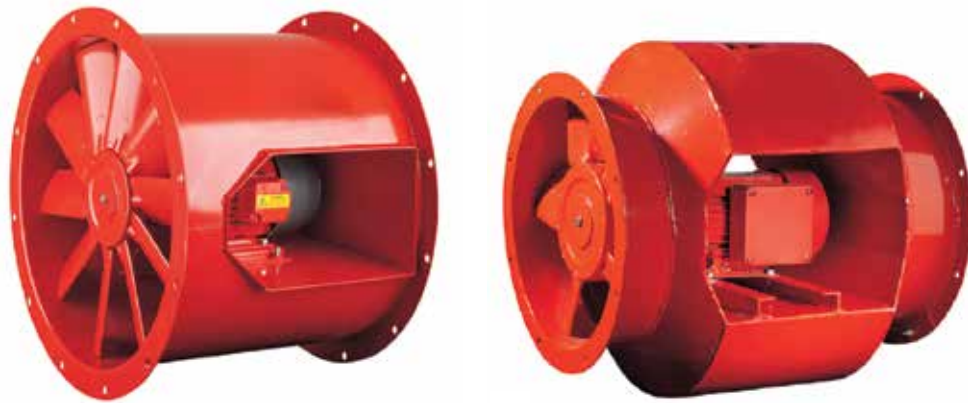


E: Quantity.
F: Inner Diameter
Hole Center.
G: Range.



BIF BIFURCATED AXIAL FANS

- 9 standard sizes from Ø400 mm up to Ø1250 mm.
- Air flow rates up to 72,000 m³/hr.
- Fully adjustable aluminum aerofoil impellers.
- Suitable for Hot, dust laden air, corrosive fumes or gases.
- Operating temperature up to 200°C.



Static Pressure (Pa)	AirFlow (m ³ /h)									
	0	50	100	150	200	250	300	400	500	600
SBF 315/2-3	3348	3276	3168	3024	2880	2736	2556	1980		
SBF 400/4-3	7488	7380	7200	7056	6912	6696	6552	6120	5508	
SBF 500/2-3	13680	13536	13356	13176	12960	12744	12456	11880	11340	10440

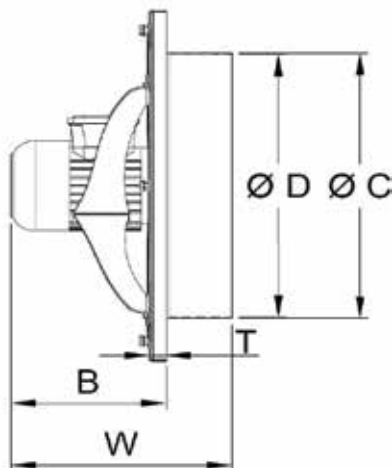
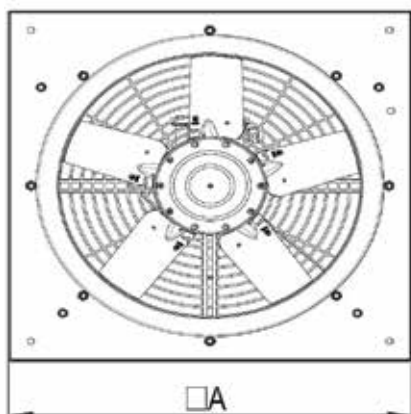
MODEL	Voltage (V)	Current (A)	Power (kW)	RPM	Sound Level [dB(A)@3m]	A (mm)	B (mm)	C (mm)	D (mm)	Weight (kg)
SBF 315/2-3	380	1.18	0.55	2800	64	315	380	460	500	30
SBF 400/4-3	380	4.56	2.2	2840	70	400	485	570	650	49
SBF 500/2-3	380	7.55	4	2900	80	500	585	700	710	86

Speed control by using frequency converter

DD WALL MOUNTED AXIAL FANS

- 5 standard sizes from Ø 400 - Ø 630 mm.
- Easy mounting on the wall.
- Epoxy coated casing and relevant parts.
- Die cast aluminum alloy fan hubs.
- Electrical motors with IP55 and F class insulation.
- The working temperature of the DD 400 and DD 450 fans between -20°C and + 40°C.
- The working temperature for all off the other DD fans between -20°C and + 60°C.
- 400 V, 3 Phase, 50 Hz Motor.
- The tolerance is +/- 15% for the supply voltage.

static pressure (pa)	Air Flow (m ³ /h)				
	DD 400	DD 450	DD 500	DD 560	DD 630
0 Pa	4225	7311	8932	12420	18062
25 Pa	3979	6860	8510	11900	17363
50 Pa	3705	6311	8049	11340	16622
75 Pa	3386	5665	7534	10726	15829
100 Pa	-	4996	6941	10044	14966
125 Pa	-	-	6221	9268	14004
150 Pa	-	-	-	-	12887
175 Pa	-	-	-	-	11472
200 Pa	-	-	-	-	8773



Model	current (A)	power (kw)	voltage (V)	RPM	Weight (kg)	A mm	B mm	ØC mm	ØD mm	W mm	T mm
DD 400	0.9	0.25	400	1440	12.33	535	205	404	400	293	20
DD 450	1.2	0.37	400	1440	14.43	585	205	454	450	293	20
DD 500	1.47	0.55	400	1440	20.50	655	255	504	500	342	20
DD 560	1.94	0.75	400	1440	23.15	715	255	564	560	342	20
DD 630	3.39	1.50	400	1440	33.40	795	255	634	630	445	20