

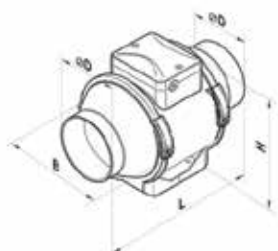
DT MIX SILENT FANS

DYNFLOWA MIX fans are featured with wide capabilities and high performance of centrifugal fans and are specifically designed for supply and exhaust ventilation of premises requiring high pressure, powerful air flow and low noise level.



Features and Benefits

- CE marked in compliance with applicable directives.
- 7 different diameters in the range of Ø100-315 mm
- The casing is made of high-quality durable plastic.
- All the models may be equipped with a regulated timer with turn-off delay adjustable from 2 to 30 min.
- The hemispheric impeller shape and specially profiled blades increase the air flow circular velocity and provide higher pressure and capacity as compared to standard axial fans.
- VT MIX series are equipped with single phased double-speed motors with low energy demand.
- Speed controllers are optional.



Model	Current (A)	Power (W)	Transfer (rpm)	Voltage (V)	Max. Temp. (°C)	Sound Level dB(A)@3m	Weight (kg)	ØD	B	H	L
DT MIX 100	0.11	25	2620	230	60	32	1,75	97	195,8	226	302,5
DT MIX 125	0.13	29	2300	230	60	34	2,15	123	195,6	226	258,5
DT MIX 150	0.22	50	2620	230	60	44	2,3	148	220,1	247	289
DT MIX 160	0.22	50	2620	230	60	44	3,25	158	220,1	247	289
DT MIX 200	0.48	108	2380	230	60	45	3,95	199	239	261	295,5
DT MIX 250	0.79	177	2440	230	60	51	7,8	247	287	323	383
DT MIX 315	1.42	320	2430	230	60	52	11,95	310	362	408	445

Static Pressure (Pa)	AirFlow (m ³ /h)											
	DT MIX 100		DT MIX 125		DT MIX 150 - 160		DT MIX 200		DT MIX 250		DT MIX 315	
	MIN	MIX	MIN	MIX	MIN	MIX	MIN	MIX	MIN	MIX	MIN	MIX
0	180	245	241	351	417	565	829	1039	1109	1385	1568	2076
25	157	216	228	325	401	556	785	992	1025	1342	1517	1988
50	129	185	188	283	379	544	741	937	935	1289	1457	1924
75	88	152	120	215	347	529	693	880	853	1228	1389	1865
100	42	115	31	138	304	503	642	823	778	1162	1314	1809
125	6	65		64	246	439	584	766	706	1096	1234	1753
150		8		2	164	348	517	707	634	1029	1149	1695
175					83	251	437	642	561	961	1056	1636
200						155	343	566	483	890	952	1575
225						83	237	473	401	814	837	1511
250						25	130	365	318	729	719	1444
275							23	262	237	637	608	1374
300								169	162	542	511	1301
325								77	93	453	423	1225
350									27	375	343	1144
375										306	266	1058
400										243	190	965
425										184	112	863
450										126	33	748
475										68		625
500										5		505
525												401
550												314
575												239
600												171
625												107
650												42

DT QUIETLINE AXIAL FANS

DYNFLOWA DT Quiet axial fans are designed to operate quietly for comfort levels as exhaust or fresh air fans in showers, bathrooms, kitchens and other residential areas.



Features and Benefits

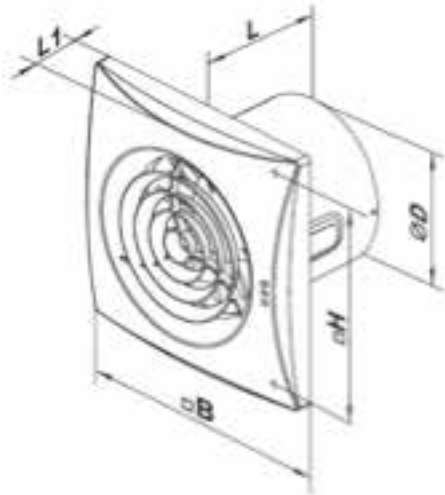
- CE marked in compliance with applicable directives.
- 3 different diameters in the range of Ø100-150 mm.
- The casing is made of high-quality durable plastic.
- Specially designed impeller provides high air capacity and low noise.
- The integrated thermal overheating protection prevents motor overload.
- Speed controllers are optional.
- Hız anahtarı ile kontrol edilebilir.

MODEL	Current (A)	Power (W)	Transfer (rpm)	Voltage (V)	Sound Level dB(A)@3m	Weight (kg)	ØD	L	k
DT QUIETLINE 100	0.049	7.5	2100	230	25	0,61	99	137,5	-
DT QUIETLINE 100-k	0.049	7.5	2100	230	25	0,61	99	137,5	54
DT QUIETLINE 125	0.85	13	2250	230	32	0,75	125	161,5	-
DT QUIETLINE 125-k	0.85	13	2250	230	32	0,75	125	161,5	53,5
DT QUIETLINE 150	0.95	22	2250	230	39	1,3	150	182	-
DT QUIETLINE 150-k	0.95	22	2250	230	39	1,3	150	182	54

AirFlow (m ³ /h)			
Static Pressure [Pa]	DT QUIETLINE 100	DT QUIETLINE 125	DT QUIETLINE 150
0	100	197	337
20	65	148	307
40	20	71	260
60		21	151
80			83
100			44

DT QUIET AXIAL EXHAUST FANS

DYNFLOWA DT Quiet axial exhaust fans are designed to operate quietly for comfort in showers, bathrooms, kitchens and other residential areas.



Features and Benefits

- CE marked in compliance with applicable directives.
- 3 different diameters in the range of Ø100-150 mm
- The casing is made of high-quality durable plastic.
- Optional somemodels may be equipped with a regulated timer with turn-off delay adjustable from 2 to 30 min.
- Specially designed impeller aerodynamic profile provides high air capacity and low noise.
- DT Quiet series are equipped with single phased single or double-speed motors with low energy demand.
- Speed controllers are optional.
- Hız anahtarı ile kontrol edilebilir.

MODEL	Current (A)	Power (W)	IP	Voltage (V)	Sound Level dB(A)@3m	Weight (kg)	ØD	B	H	L	L1
DT QUIET 100	0.049	7.5	IP 45	230	25	0,55	99	158	136	81	26
DT QUIET 125	0.11	17	IP 45	230	32	0,78	123,5	182	158	91	27
DT QUIET 150 Extra	0.1	22	IP 45	230	38	1,33	147,5	214	190	111	32

Static Pressure [Pa]	AirFlow (m ³ /h)			
	DT QUIET 100	DT QUIET 125	DT QUIET 150 Extra	
			Min	Max
0	97	182	280	371
20	65	150	245	341
40	9	76	172	305
60		35	61	188
80				123
100				59